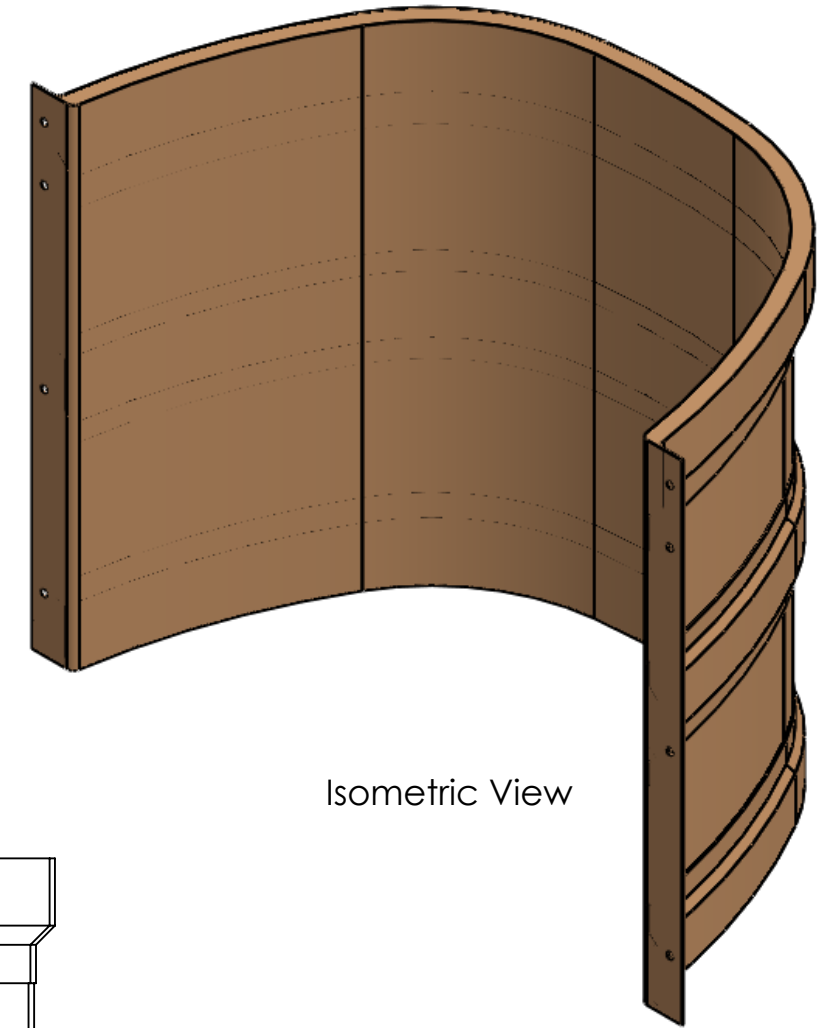
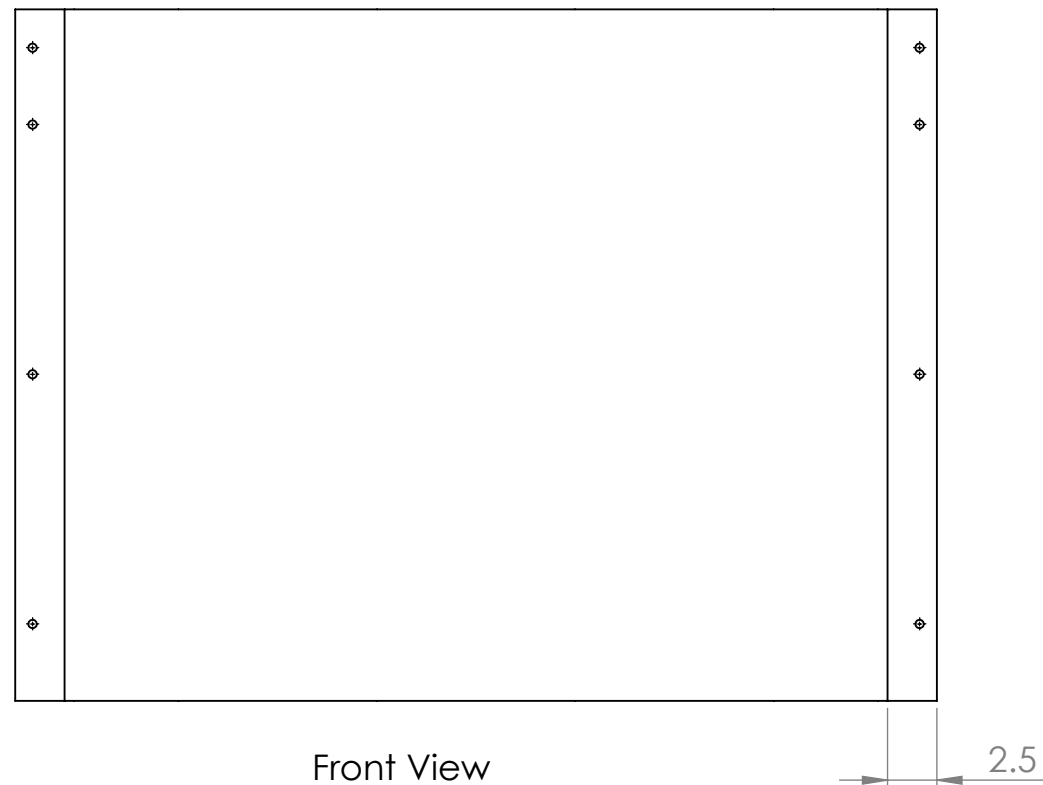


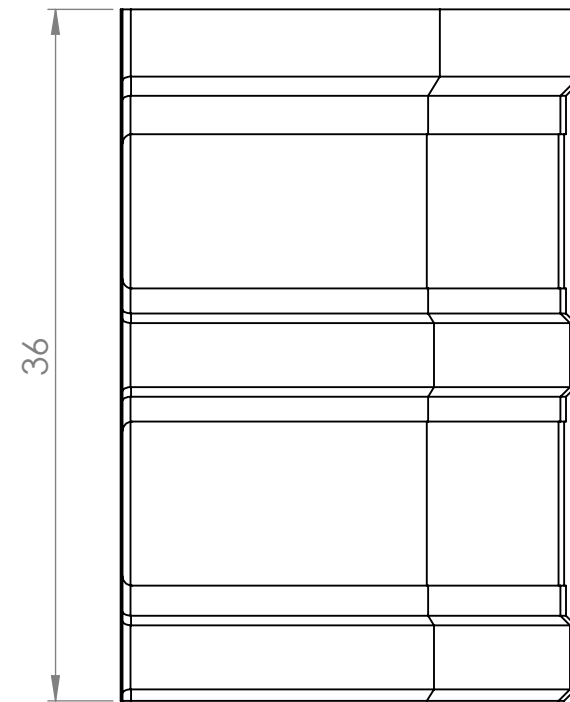
Top View



Isometric View



Front View



Side View

UNLESS OTHERWISE SPECIFIED: DIMENSIONS ARE IN MILLIMETERS SURFACE FINISH: TOLERANCES: LINEAR: ANGULAR:				FINISH:		DEBUR AND BREAK SHARP EDGES		DO NOT SCALE DRAWING		REVISION	
								RockWell, LLC			
								TITLE: Cascade 42 Window Well 42 x 23 x 36			
DRAWN				NAME		SIGNATURE		DATE		DWG NO. WCT-422336	
CHK'D										A3	
APPV'D										SCALE:1:10	
MFG										SHEET 1 OF 1	
Q.A								MATERIAL:			
								WEIGHT:			